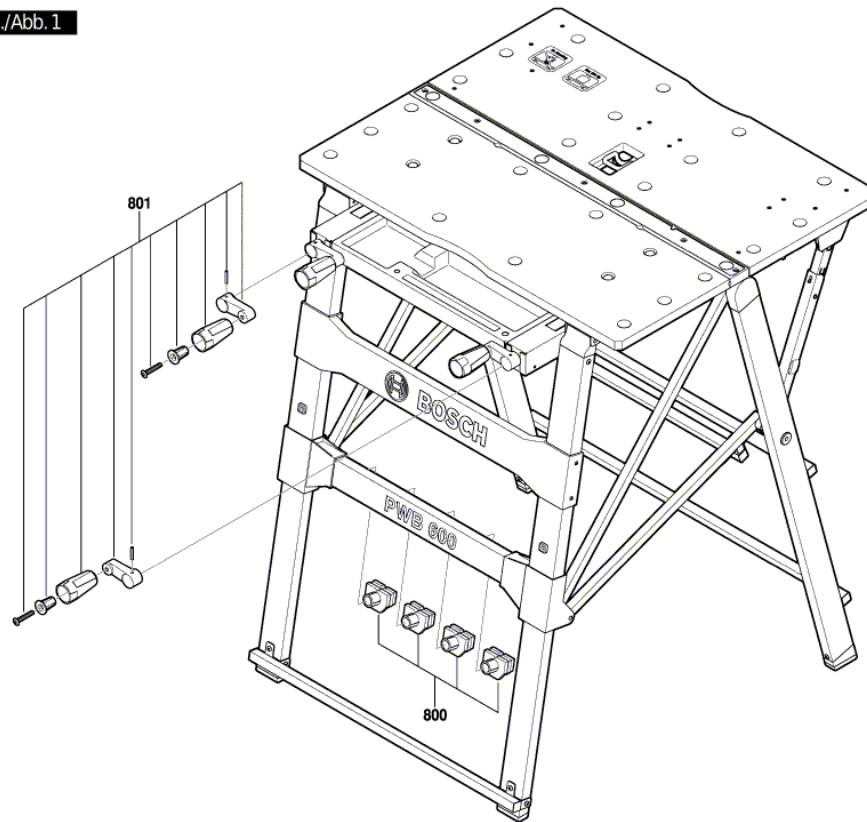


Illustration - Type - E

3 603 M05 200
Issue | 12-01-26
Stand | Fig./Abb. 1



Modifications reserved
Änderungen vorbehalten
Modifications réservées
Salvo modificaciones

Spare parts list

| Item | Part Number | Description | Illustration |
|-------------|--------------------|--------------------|---------------------|
| 800 | 1 600 A00 0YJ | Clamping-Jaws Set | 1 |
| 801 | 1 600 A00 0YK | Crank Handle | 1 |